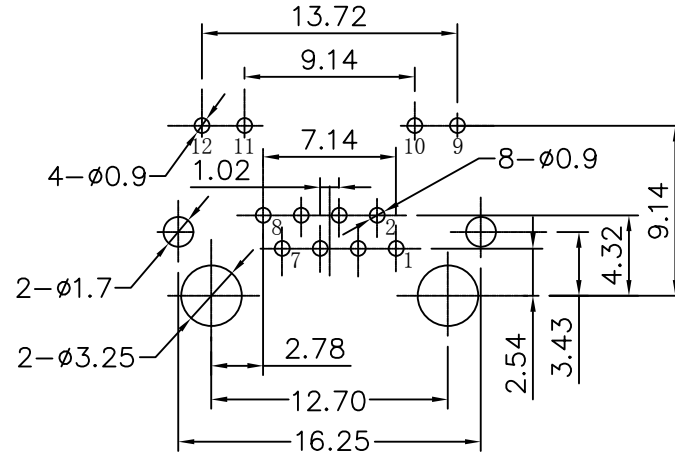
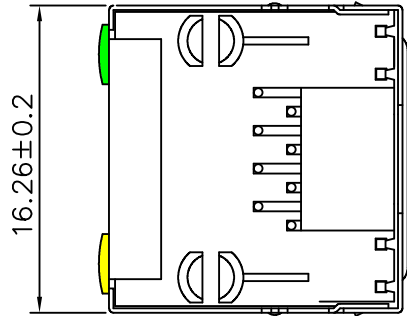
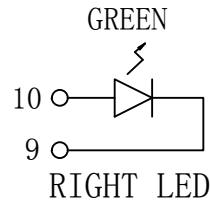
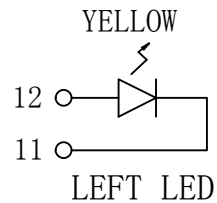
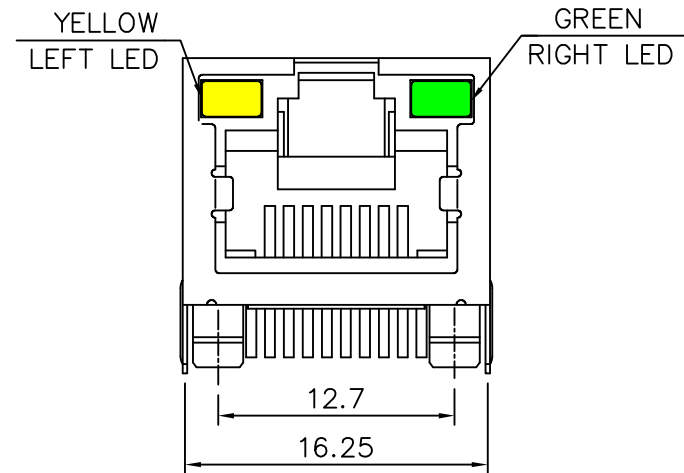
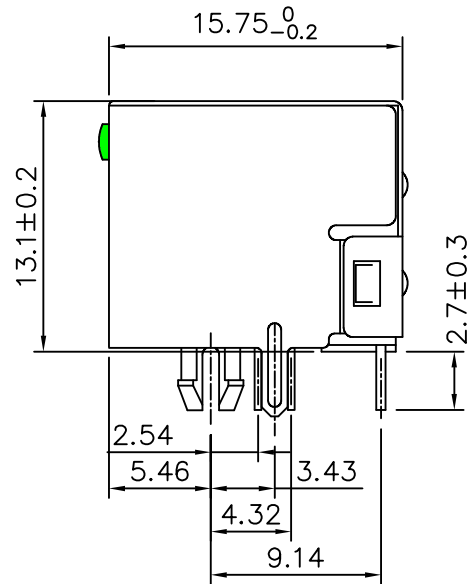


Mechanical:

REV.	ECN NO.	DESCRIPTION	DATE	APPD
A	REL		2010/07/15	



PC Board Layout (TOP VIEW)



NOTES:

PCB JACK Specification

1. Insulation Resistance: 500MΩ MIN @ 500 VDC
2. Withstanding Voltage: AC1000V 50Hz or 60Hz 1min.
3. Durability: 600 Mating Circles MIN.
4. Gold Plating:
(Gold Flash; 1.5; 3; 6; 15; 30; 50)U" Inch

Physical char:

1. Housing: L Dupont Nylon (UL94V-0). Soldering Temperature: 260°C For 4 Sec.
2. Color: Black Color
3. Spring Wire:
0.35mm Thickness Phosphor bronze Gold Plating Over Nickel
4. Shield: Brass plating Nickel

ENVIRONMENTAL

1. Storage Temperature: -40°C To +85°C
2. Operation Temperature: -40°C To +85°C
3. Wave Soldering Temperature:
255°C ~ 265°C (5 ~ 10 Seconds)
4. RoHS Compliant.

X:X ±0.25	APPD:	LINK-PP INT'L TECHNOLOGY CO., LIMITED
X:XX ±0.10	CHKD:	
X:XXX ±0.05	DR: TOM	TITLE: RJ45 1×1 CONNECTOR
ANGLES ±1°	UNIT: mm	PART NO.: LPJE101BGNL
	SCALE: 2/1	SHEET: 1/1
	REV: A	DWG NO.: LP10071229

Sales Department A-B2

Sales Engineer / Summer Ming - 明夏

Tel: 0086-752-3322915 Mob: 0086-180-2668-6530

Fax: 0086-752-3161926

E-mail: Summer@link-pp.com

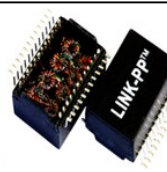
www.link-pp.com

LINK- PP INT'L TECHNOLOGY CO., LIMITED

Jia An Industrial Park, Chenjiang Rd, Zhongkai Hightech Zone, Huizhou City,
516003, China




RoHS



LINK- PP INT'L TECHNOLOGY CO., LIMITED

Seris : LPJXXXXXXXX / LPXXXXXXXX / LPAXXXXXXX