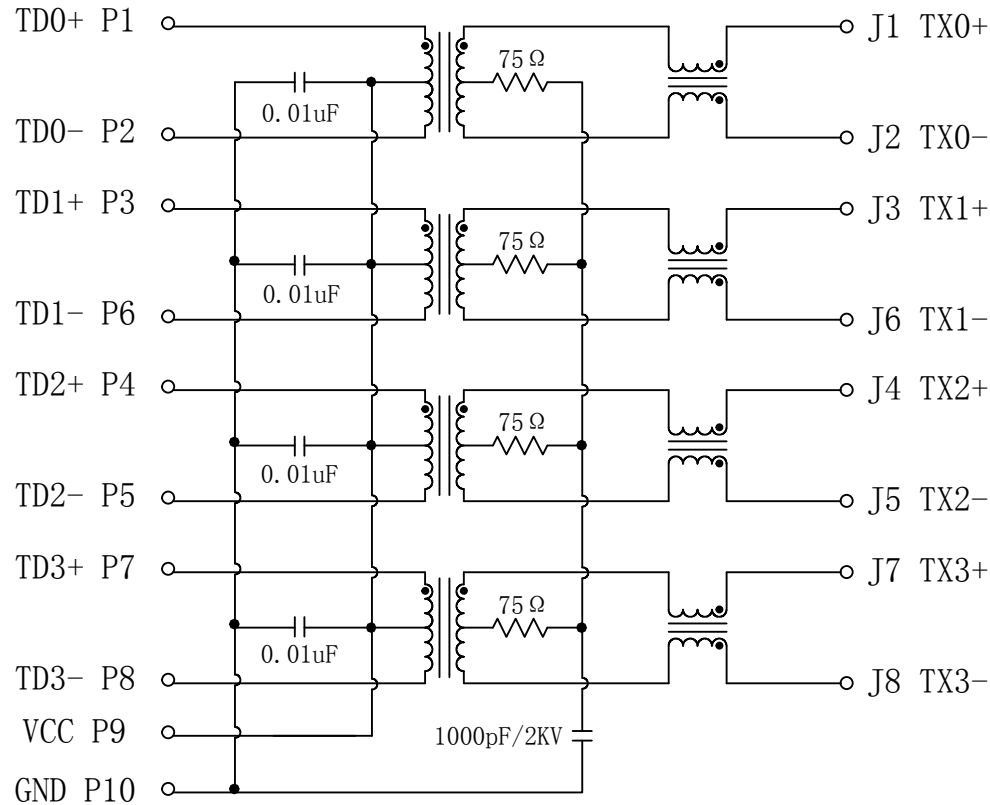


Schematic:

REV.	ECN NO.	DESCRIPTION	DATE	APPD
A	REL		2013/07/24	

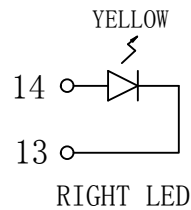
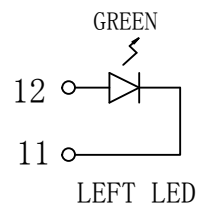
PCB

CABLE



ELECTRICAL SPECIFICATIONS @25°C

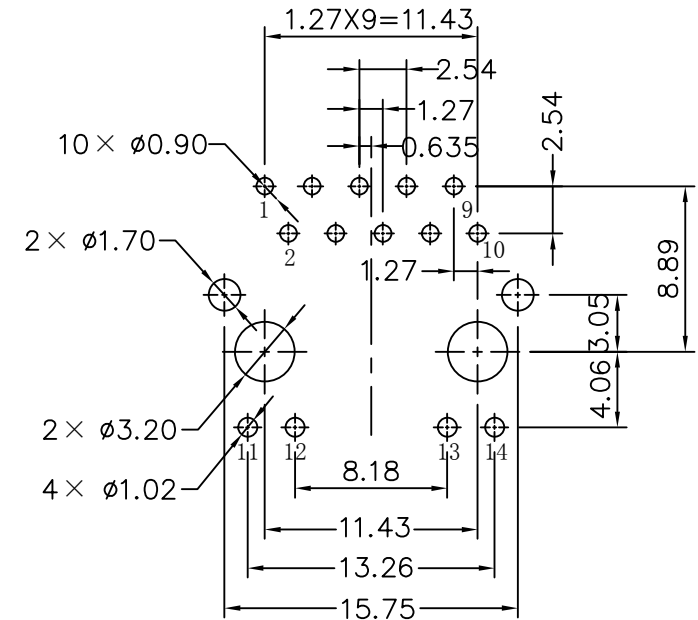
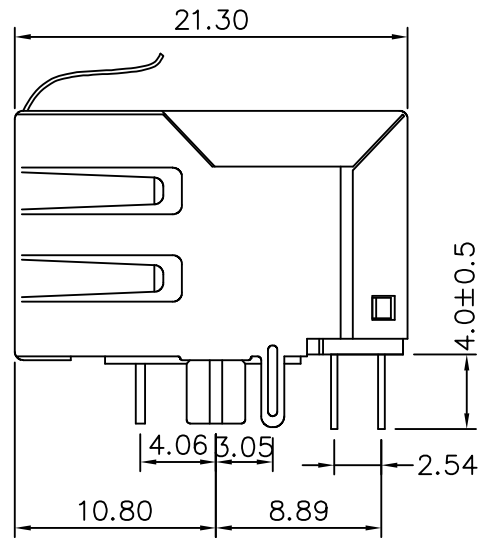
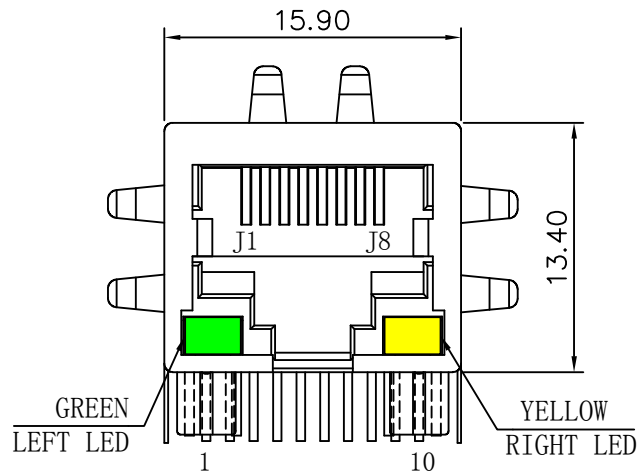
- Turn Ratio ($\pm 2\%$):
TX=1CT:1CT RX=1CT:1CT
- Inductance OCL: 350uH MIN
@100KHz/0.1V, 8mA DC Bias
- Insertion Loss:
-1.0dB MAX @ 1.0-65MHz
- Return Loss:
-20dB MIN @ 1-10MHz
-16dB MIN @ 10-30MHz
-12dB MIN @ 30-60MHz
-10dB MIN @ 60-100MHz
- Cross talk:
-40dB MIN @ 1-30MHz
-35dB MIN @ 30-60MHz
-30dB MIN @ 60-100MHz
- Common Mode Rejection:
-30dB MIN @ 1-50MHz
-20dB MIN @ 50-150MHz
- Hipot Test: 1500Vrms MIN
- Operating Temperature Range: 0°C TO 70°C



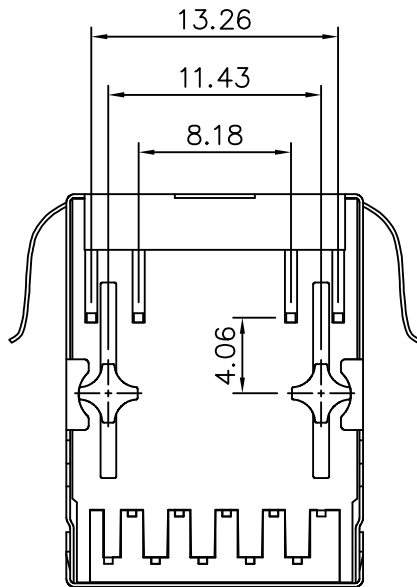
X:X	± 0.30	APPD:	LINK-PP INT'L TECHNOLOGY CO., LIMITED
X:XX	± 0.20	CHKD:	
X:XXX	± 0.05	DR: TOM	TITLE: RJ45 Connector with 1000 Base-T Integrated Magnetics
ANGLES	$\pm 1^\circ$	UNIT: mm	PART NO.: LPJG0813GHNL
	SCALE: 2/1	SHEET: 1/2	REV: A
			DWG NO.: LP13071229

Mechanical:

REV.	ECN NO.	DESCRIPTION	DATE	APPD
A	REL		2013/07/24	



SUGGESTED PCB LAYOUT(TOP VIEW)



NOTES:

1. Designed to support application, such as SOHO(ADSL modems), LAN-on-Motherboard(LOM), hub and Switches.
2. Meets IEEE 802.3 specification
3. Connector Materials:
 Housing: Thermoplastic UL94V-0
 Contact/Shield: Copper alloy
 Shield plating: Nickel
 Contact plating: Gold 6 micro-inches min. In contact area.
4. Wave solder tip temperature: 265°C Max
 Wave solder tip temperature time: 5 Sec Max



X:X ± 0.30	APPD:	LINK-PP INT'L TECHNOLOGY CO., LIMITED
X:XX ± 0.20	CHKD:	
X:XXX ± 0.05	DR: TOM	TITLE: RJ45 Connector with 1000 Base-T Integrated Magnetics
ANGLES ± 1°	UNIT: mm	PART NO.: LPJG0813GHNL
	SCALE: 2/1	SHEET: 2/2
	REV: A	DWG NO.: LP13071229

Sales Department A-B2

Sales Engineer / Summer Ming - 明夏

Tel: 0086-752-3322915 Mob: 0086-180-2668-6530

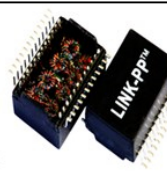
Fax: 0086-752-3161926

E-mail: Summer@link-pp.com

www.link-pp.com

LINK- PP INT'L TECHNOLOGY CO., LIMITED

Jia An Industrial Park, Chenjiang Rd, Zhongkai Hightech Zone, Huizhou City,
516003, China



LINK- PP INT'L TECHNOLOGY CO., LIMITED

Seris : LPJXXXXXXXX/ LPXXXXXXXX/ LPAXXXXXXX