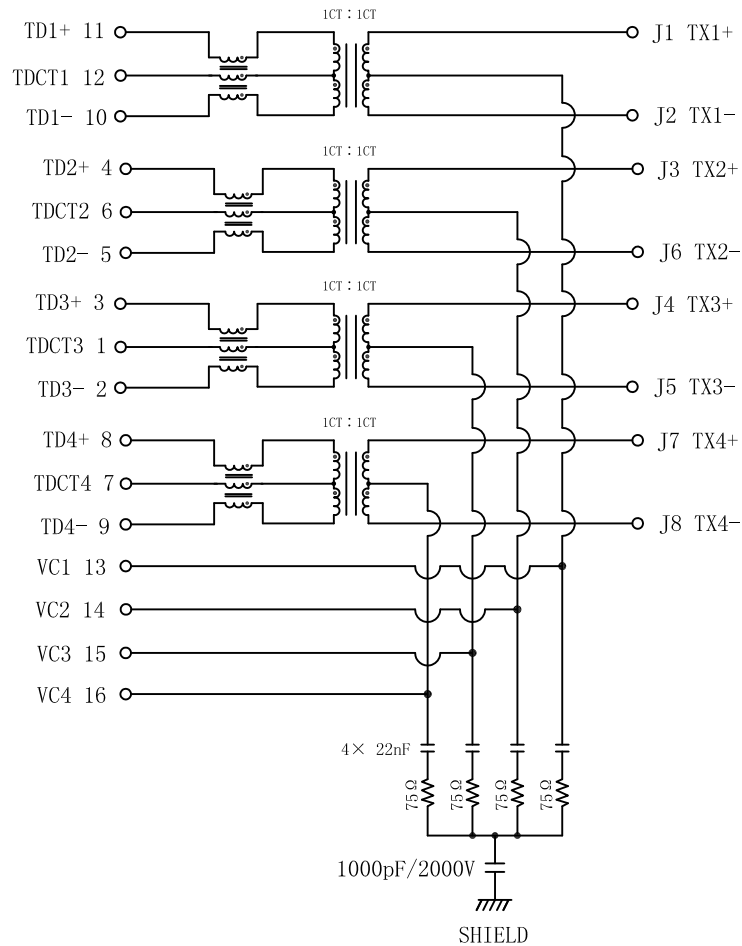


Schematic:

REV.	ECN NO.	DESCRIPTION	DATE	APPD
A	REL		2019-06-29	

PC BOARD CONNECTIONS

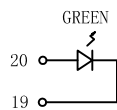


RJ45 CONNECTOR

ELECTRICAL SPECIFICATIONS @25°C

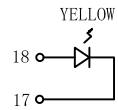
- Turn Ratio ($\pm 2\%$):
Pri:Sec = 1CT:1CT
- Inductance OCL:
180uH MIN @ 100KHz 0.1Vrms
- Insertion Loss (dB Max):
100KHz: -3.0 1~100MHz: -1.0
100~500MHz: -3.0
- Return Loss (dB Min):
1~100MHz: -22
100~500MHz: -22+18.27*LOG (f/100)
- Cross talk (dB Min):
1~100MHz: -28 100~500MHz: -19
- CDMR (dB Min):
1~250MHz: -30 250~500MHz: -22
- Balance DC Line current:
1.0A MAX, @57VDC Continuous.
- Hipot Test: 1500Vrms
- Operating Temperature Range: -40°C ~ +85°C.

Emitting Color	λ_p (nm)	VF@IF=20mA	IR @VR=5V
GREEN	565	1.8~2.6V	10 μ A max
YELLOW	585	1.8~2.6V	10 μ A max



LEFT LED

LED POLARITY		COLOR
PIN 20	PIN 19	GREEN
+	-	



RIGHT LED

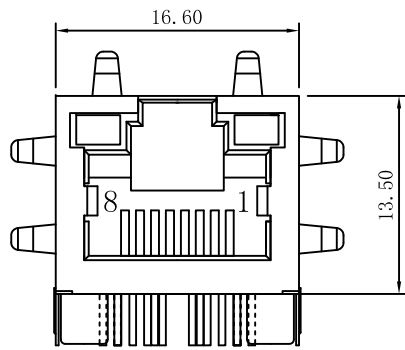
LED POLARITY		COLOR
PIN 18	PIN 17	YELLOW
+	-	



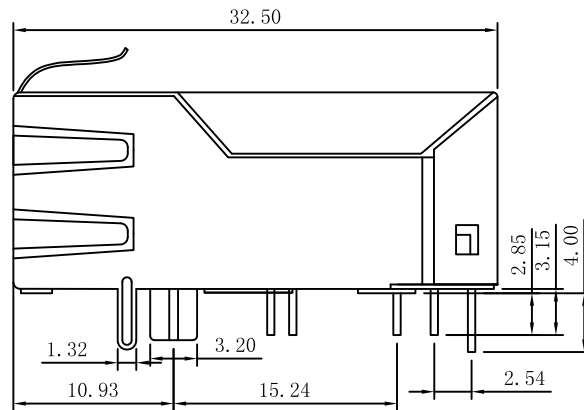
X:X	± 0.30	APPD:	LINK-PP INT'L TECHNOLOGY CO., LIMITED	
X:XX	± 0.25	CHKD:	TITLE: RJ45 Connector with 10G Base-T Integrated Magnetics For PoE++ Application	
X:XXX	± 0.05	DR: SEA	PART NO.: LPJK9493AHNL	
ANGLES	$\pm 1^\circ$	UNIT: mm		
	SCALE: 2/1	SHEET: 1/2	REV: A	DWG NO.: LP19062919

Mechanical :

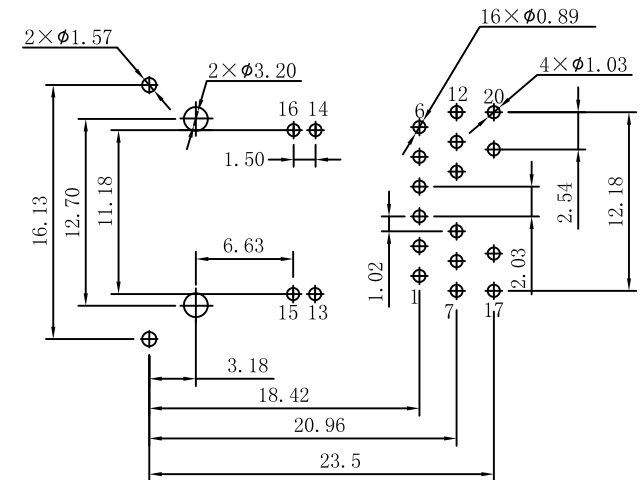
REV.	ECN NO.	DESCRIPTION	DATE	APPD
A	REL		2019-06-29	



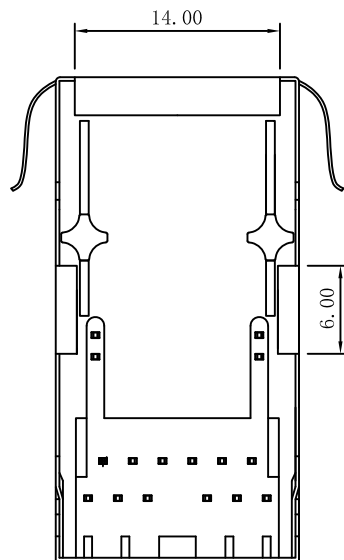
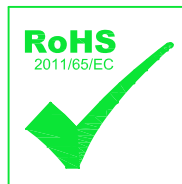
Front Side View



Left Side View



Suggested PCB Layout (Top View)



Bottom Side View



Top Side View

NOTES:

1. Designed to support application, such as SOHO (ADSL modems), LAN-on-Motherboard (LOM), hub and Switches.
2. Meets IEEE 802.3bt specification
3. Connector Materials:
Housing: Thermoplastic UL94V-0
Contact/Shield: Copper alloy
Shield plating: Nickel
Contact plating: Gold 6 micro-inches min. In contact area.
4. Wave solder tip temperature: 265°C Max, 5 Sec.
5. UL Certification: File Number E484635.

X:X ±0.30	APPD:	LINK-PP INT'L TECHNOLOGY CO., LIMITED
X:XX ±0.25	CHKD:	
X:XXX ±0.05	DR: SEA	TITLE: RJ45 Connector with 10G Base-T Integrated Magnetics For PoE++ Application
ANGLES ±1°	UNIT: mm	PART NO.: LPJK9493AHNL
	SCALE: 2/1	SHEET: 2/2
	REV: A	DWG NO.: LP19062919